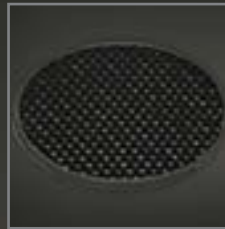


INSTA LAND 75

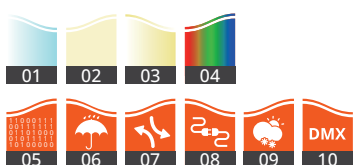
Compatible with COB or MR16 light source,
The built in power supply makes the installation easier,
Various beam angles offer from long range spot to flood,
Flexible mounting methods,customizations are available.



SPECIFICATION

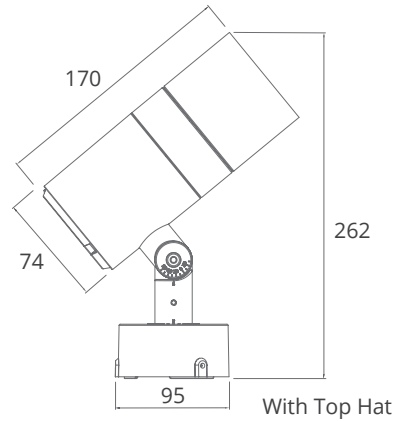
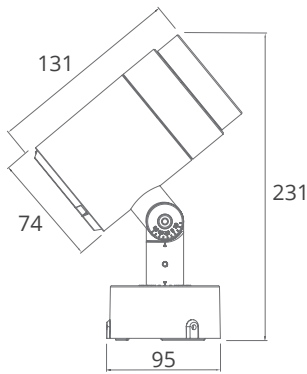
| | |
|------------------------------|--|
| MODEL | LAND WAVE INSTA LAND 75 |
| OPERATING VOLTAGE | 24V DC, AC200-240V |
| POWER CONSUMPTION | 12W Max |
| LED TYPE | COB, High Power LED |
| COLOUR RANGE | 2700K, 3000K, 3500K, 4000K, 5000K, RGB, RGBW |
| CRI | 90min, 80min |
| SYSTEM EFFICIENCY | 76lm/W@3000K |
| FWHM | 10°, 15°, 24°, 36°, 55° |
| MATERIAL | Aluminum + Tempered Glass |
| OPERATING TEMPERATURE | -20°C ~ +55°C |
| STORAGE TEMPERATURE | -25°C ~ +60°C |
| LIFE TIME | 50,000 hours/L70 at 25°C |
| DIMENSIONS | Ø74*131(L)*231(H)mm Ø74*170(L)*262(H)mm(With Top Hat) |
| CABLE LENGTH | 300mm |
| WATER PROOF | IP66 |
| CONTROL | ON/OFF, DMX/RDM, Triac Dim, 0-10V Dim |

FEATURES & OPTIONS



- 01. CW
- 02. NW
- 03. WW
- 04. RGB
- 05. DYNAMIC CONTROL
- 06. IP66
- 07. ADJUSTABLE
- 08. EASY INSTALLATION
- 09. EXTREME ENVIRONMENTS
- 10. DMX

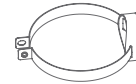
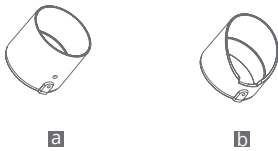
DIMENSIONS



Top Hat(TH)

Honey Comb(HC)H

Hooping(HP)



*all units are in mm

OPTIC SELECTION



| CenterBeamLux | Illuminance at Distance |
|---------------|-------------------------|
| 6480.29 lx | 0.8m |
| 1620.36 lx | 1.7m |
| 720.04 lx | 2.5m |
| 405.57 lx | 3.3m |
| 259.92 lx | 4.2m |
| 180.02 lx | 5.0m |

■ Ver. Spread: 14.3° ■ Horiz. Spread: 13.7°

| LED | Lumens | Watts | Efficacy |
|-------|--------|-------|----------|
| WHITE | 852.00 | 12.00 | 71.00 |

3000K



| CenterBeamLux | Illuminance at Distance |
|---------------|-------------------------|
| 1650.48 lx | 0.8m |
| 430.15 lx | 1.7m |
| 186.25 lx | 2.5m |
| 110.04 lx | 3.3m |
| 65.86 lx | 4.2m |
| 45.57 lx | 5.0m |

■ Ver. Spread: 36.4° ■ Horiz. Spread: 36.9°

| LED | Lumens | Watts | Efficacy |
|-------|--------|-------|----------|
| WHITE | 782.80 | 10.30 | 76.00 |